

# USB download for KRP-M01, KRP-500A and KRP-600A

Please do not use the buttons of your remote control, unless explicitly asked.

## 1. Preparation:

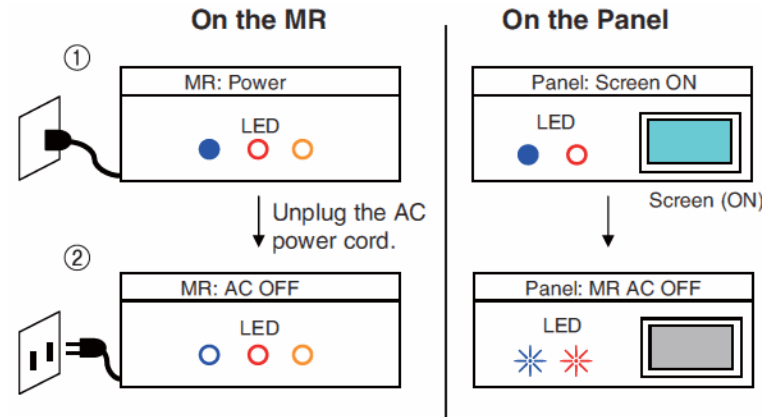
Download the firmware file from the Pioneer Support page and check carefully the instructions how to install the firmware on the USB memory device.



The LEDs of your plasma are situated at the bottom left of your screen.

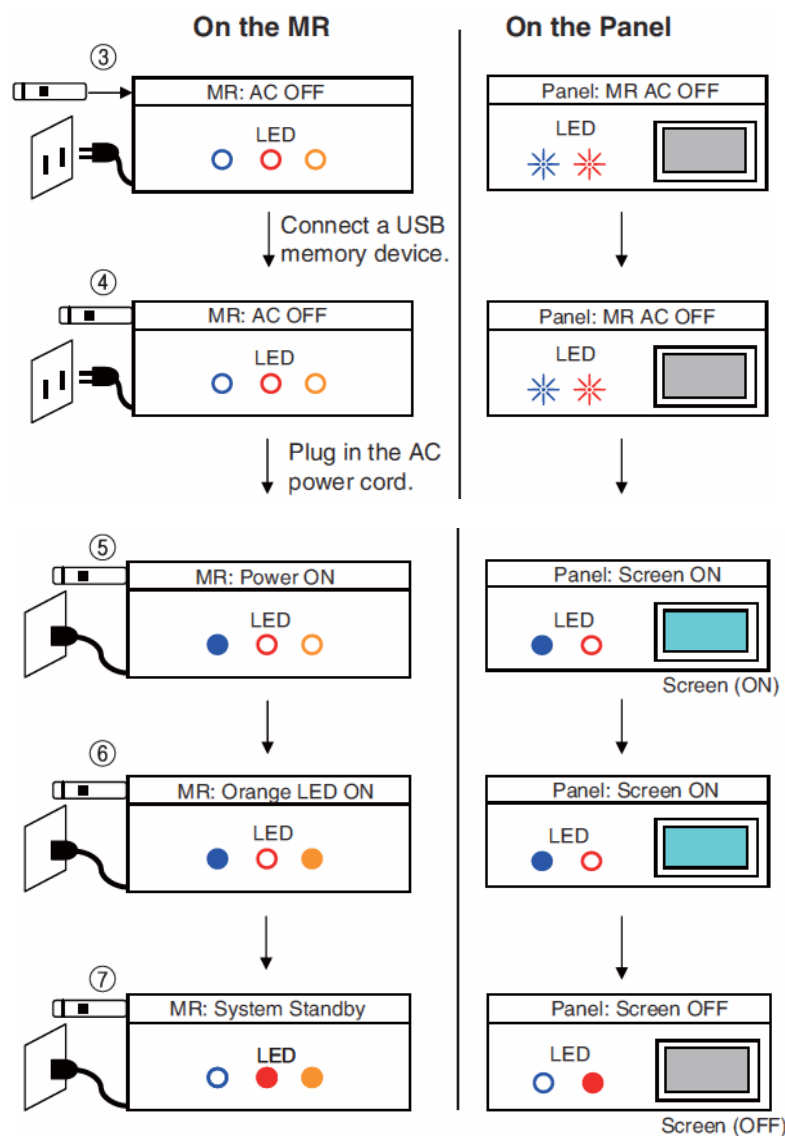
## 2. Before starting the USB update:

Both Media Receiver and Panel should be switched on. Next unplug the AC cord from the Media Receiver



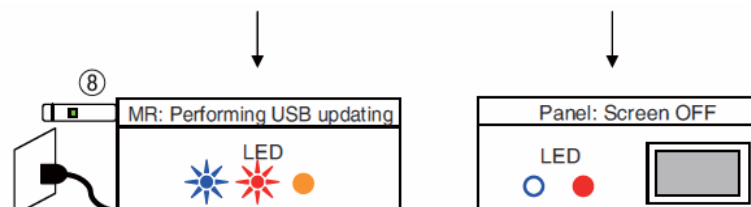
## 3. USB Update procedure:

Insert the USB memory device, next plug the AC cord from the Media Receiver back in.



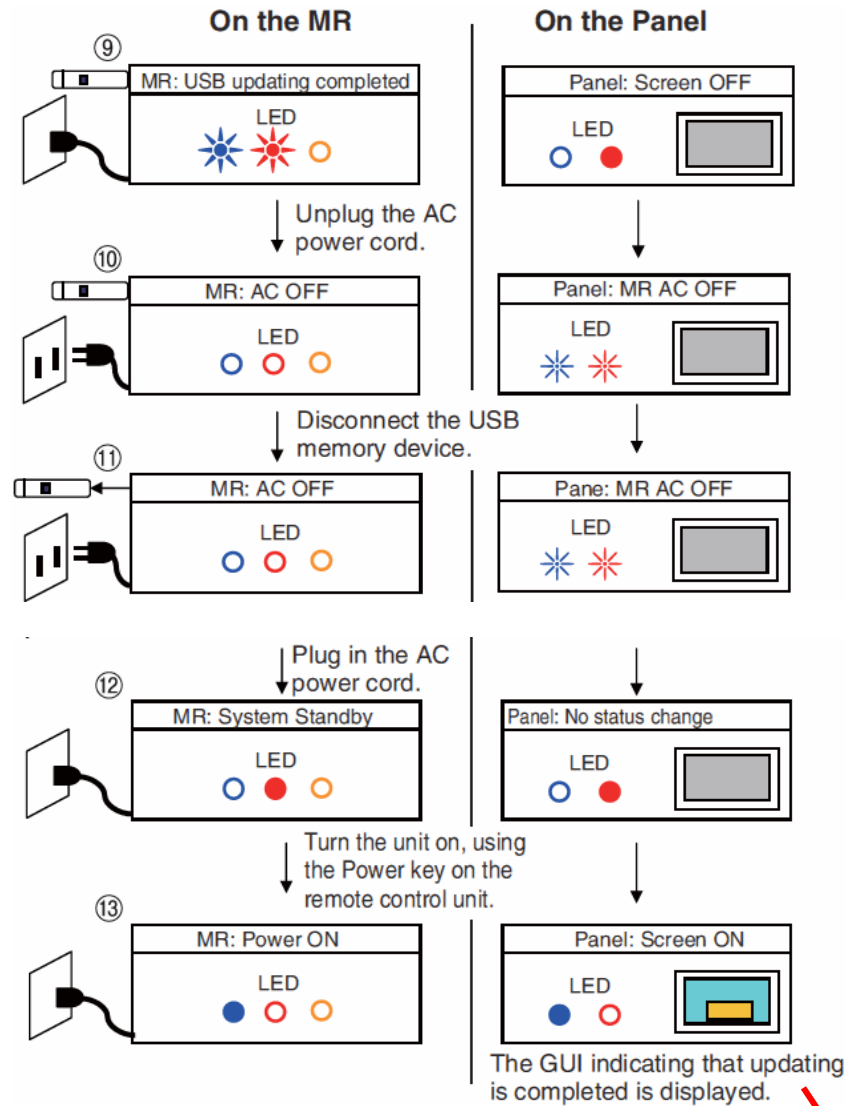
Notes:

If you interrupt the procedure in this step, the update will not start and the unit will start up in normal condition.

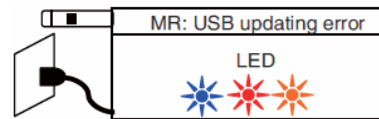


**4. Completion procedure for USB updating:**

After USB updating is completed, perform the following steps (unplug the AC power cord, disconnect the USB memory device, then plug the AC power cord back in)



Note: If the update procedure is interrupted, the orange LED flashes to warn you of the error.



Number of times orange LED flashes	Error	Description
2	Version comparison error	The same version of the software has already been installed. Download is not required.
3	USB Download startup error	USB Download cannot start. Format the USB memory or use another USB memory.
10	No USB	USB memory failure. Confirm the connection of the USB memory. If it is not solved, exchange it for another USB memory, then download again.
Other	Download Error	DTV Download failed. Try to download it again. If this doesn't solve the problem, contact your dealer or nearest service center.

**Example of how the orange LED flashes 2 times (version comparison error).**

